

# ΩMEGA NOMIC

POWERED BY *GT Omega*<sup>®</sup>



## CORE

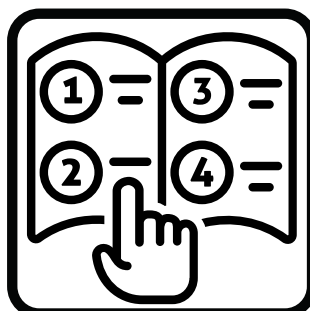
MANUAL ADJUSTMENT DESK

## Assembly Guide

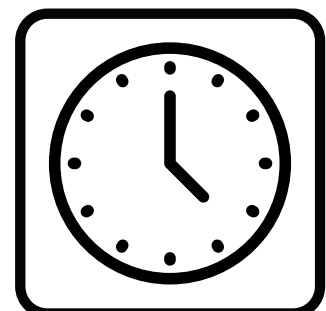
Recommended  
**1-2 People**



Read Instructions  
**5 Minutes**



Assembly Time  
**60-120 Minutes**



# TABLE OF CONTENTS

PAGE 1

NOTICES

PAGE 2

WHAT'S IN THE BOX

PAGE 3 - 4

ASSEMBLY INSTRUCTIONS

PAGE 5

MORE FROM GT OMEGA



**Need Help?** We're here for you! [Contact our support team:](#)



# WARNING



Children should not use unsupervised



Do not exceed load capacity of **120KG**



Do not stand on the desk.



Do not sit on the desk.



Keep hands away from moving parts



Do not Push or pull desk across the floor



Do not use the desk as a cutting surface



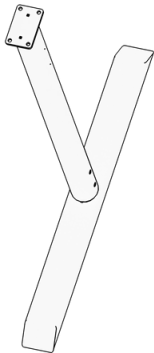
FAILURE TO COMPLY WITH OR OBSERVE ALL ASSEMBLY, SAFETY, AND OPERATION INSTRUCTIONS REGARDING THE USE OF THIS PRODUCT MAY RESULT IN **PROPERTY DAMAGE** OR **BODILY INJURY**.

- This document contains important safety regulations. Any non-conforming use may result in personal injury or mechanical damage.
- Please read this user manual carefully before use as it provides key information about safety, use, assembly and maintenance of the desk.
- Ensure that you have received all parts according to the part checklist prior to installation. If any parts are missing or faulty, contact the GT Omega support team for replacements.
- **Do not** over tighten the screws during installation.
- This product contains small items that could be a choking hazard if swallowed. Keep these items away from children.
- This product is designed for indoor use only. Using the product outdoors could lead to product failure and personal injury
- Alteration or modification of any factory components outlined in the checklist will automatically void your warranty
- Place the desk away from corrosive gas, water and dusty environments.

This desk is designed for indoor use and dry work areas only. Under no circumstances does the manufacturer accept warranty claims or liability claims for damages caused from improper use or handling of the desk.

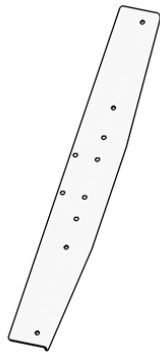
# WHAT'S IN THE BOX

**A**



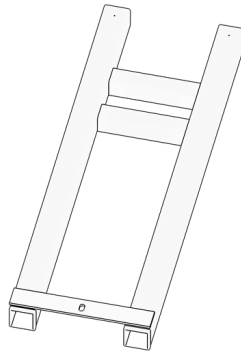
**2x**

**B**



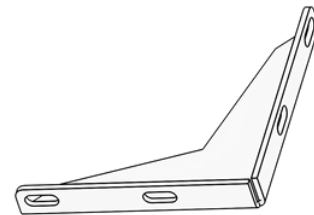
**2x**

**C**



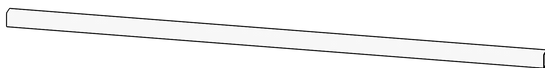
**2x**

**D**



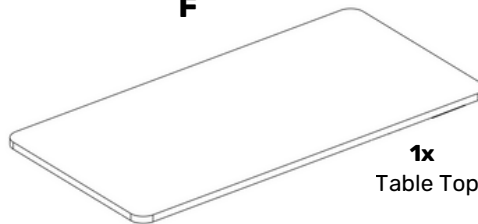
**2x**

**E**



**2x**

**F**



**1x**

Table Top



**Table Top may vary based on purchase**

**SMALL PARTS AND TOOLS:**



**x8**  
6x8



**10x**  
6x14



**8x**  
6x16



**4x**  
6x40



**4x**  
8x12



**12x**  
M6



**x4**  
8x20

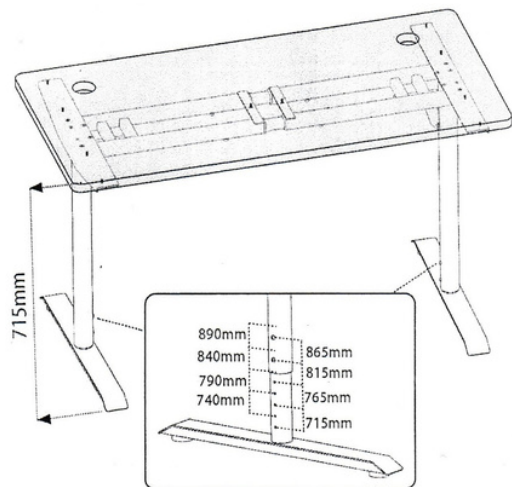
M4x1

M5x1

M6x1



**1x**  
M10

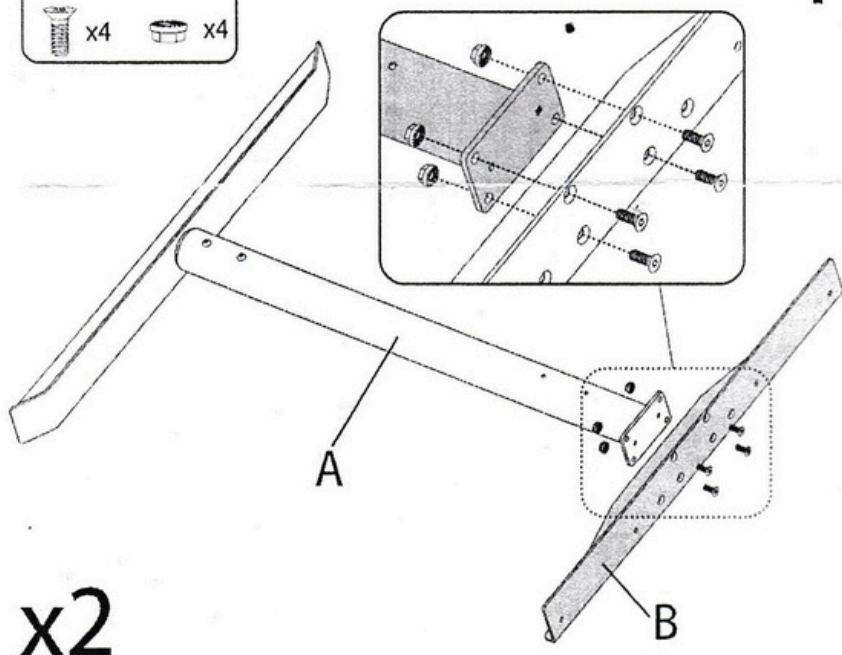


If you are missing any parts, please contact our customer support team who can assist.

# ASSEMBLY INSTRUCTIONS

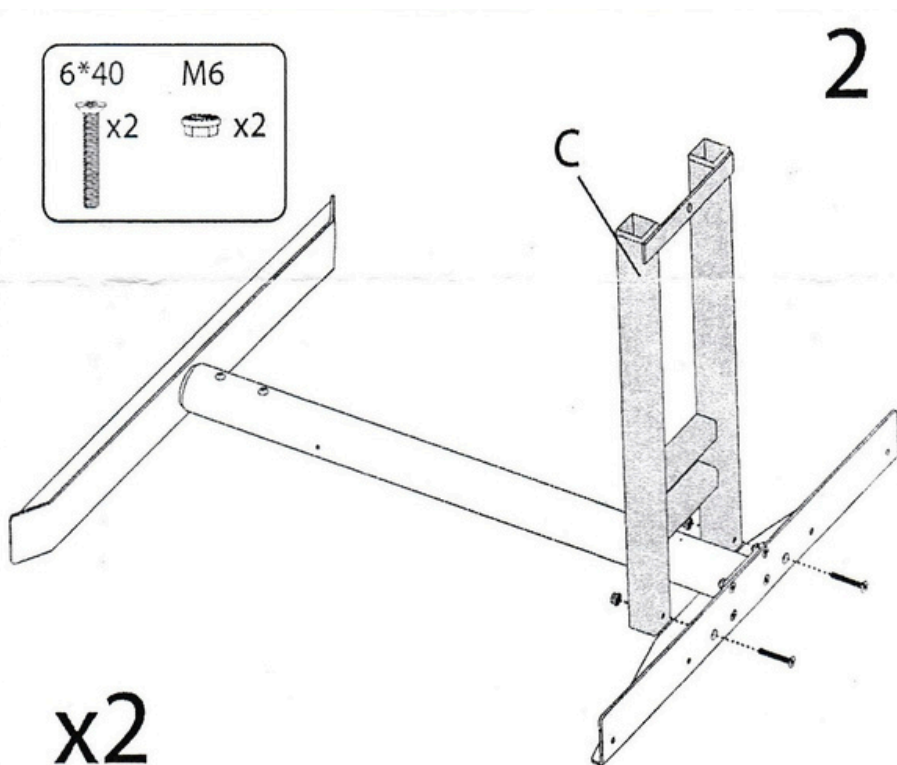
1

6\*16 M6  
x4 x4



2

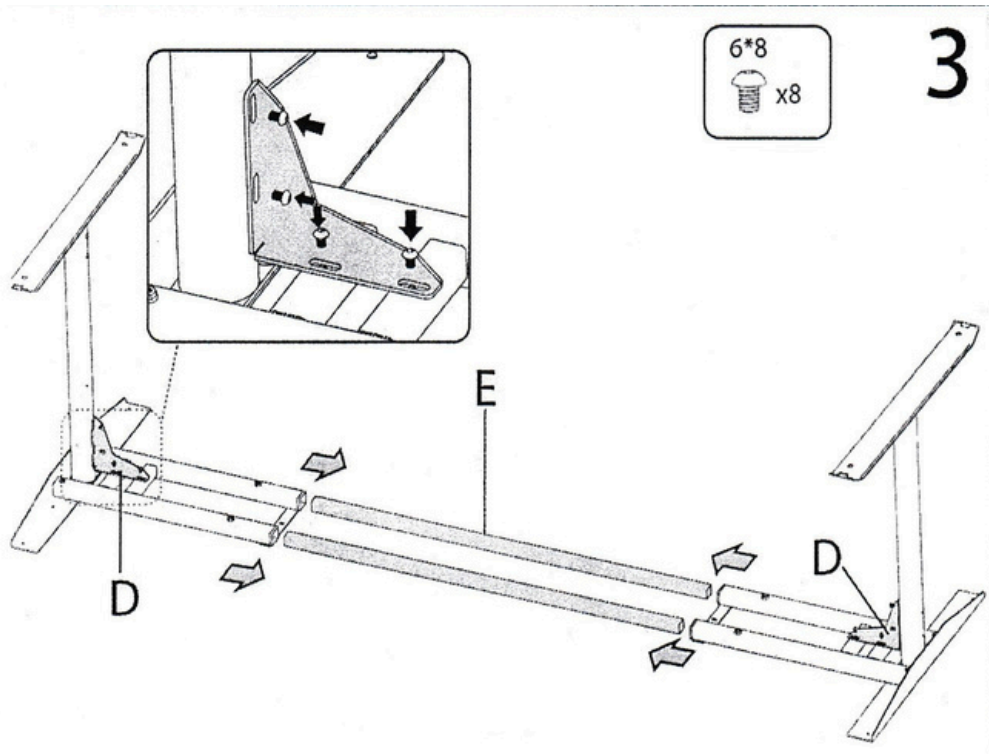
6\*40 M6  
x2 x2



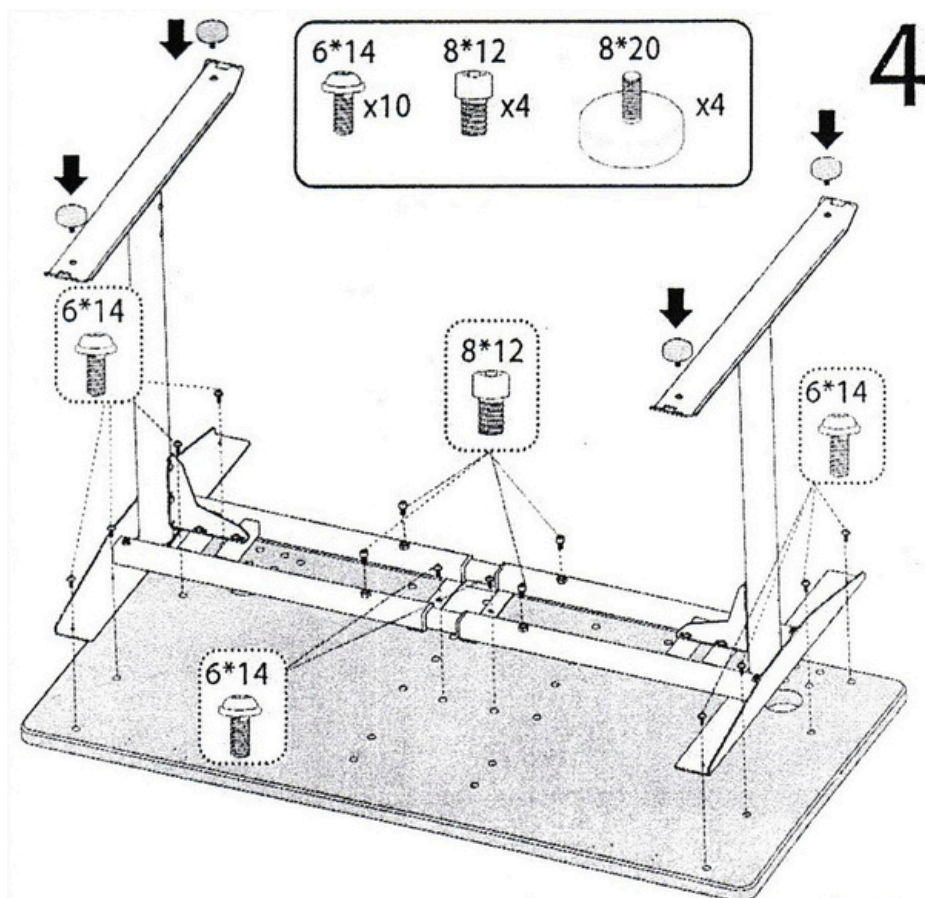
⚠ Avoid over-tightening screws. As this may damage the product.

# ASSEMBLY INSTRUCTIONS

3

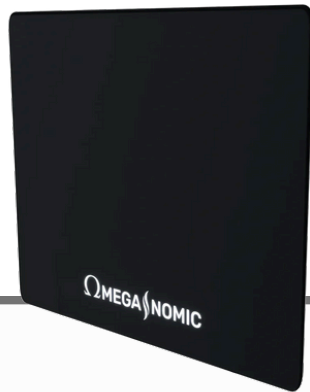


4



⚠ Avoid over-tightening screws. As this may damage the product.

**Looking to upgrade your comfort? Check out these best sellers!**



**Mouse Mat**

Developed with ergonomics in mind, our Omeganomic desk mat is the leading choice for adding comfort to your new desk.



**Floor Pad**

The Omeganomic Floor Pad features embroidered anti-fray edges and a dual-purpose non-slip rubber backing which protects your floors and stops the mat from sliding.



**PRO GEN 2.0**

The GT Omega Pro Series Gen 2.0 is the next step in the evolution of our classic **Pro Series Gaming chair**.



To see these products and more, visit us at [gtomega.co.uk](https://gtomega.co.uk)