

ΩMEGA *NOMIC*

POWERED BY

GT Omega[®]



OmegaNOMIC

MASTER Ergonomic Chair

www.gtomega.co.uk

TABLE OF CONTENTS

PAGE 1

NOTICES

PAGE 2

WHAT'S IN THE BOX

PAGE 3 - 6

ASSEMBLY INSTRUCTIONS




Need Help? We're here for you! Contact our support team:



 SupportUK@gtomega.com

*Handling times targeted at 24 hours.
Please allow time for a response.*

 (+44)0141-370-6780

*Monday - Friday
9am - 4pm (Glasgow, Scotland)*

WARNING



Do not exceed
weight capacity
of **136KG**



Do not stand
on the chair.



Keep hands
away from
moving parts



FAILURE TO COMPLY WITH OR OBSERVE ALL ASSEMBLY, SAFETY, AND OPERATION INSTRUCTIONS REGARDING THE USE OF THIS PRODUCT MAY RESULT IN **PROPERTY DAMAGE OR BODILY INJURY.**

- This document contains important safety regulations. Any non-conforming use may result in personal injury or mechanical damage.
- Please read this user manual carefully before use as it provides key information about safety, use, assembly and maintenance of the chair.
- Ensure that you have received all parts according to the part checklist prior to installation. If any parts are missing or faulty, contact the GT Omega support team for replacements.
- **Do not** over tighten the screws during installation.
- This product contains small items that could be a choking hazard if swallowed. Keep these items away from children.
- This product is designed for indoor use only. Using the product outdoors could lead to product failure and personal injury
- Alteration or modification of any factory components outlined in the checklist will automatically void your warranty
- Place the chair away from corrosive gas, water and dusty environments.

This chair is designed for indoor use and dry work areas only. Under no circumstances does the manufacturer accept warranty claims or liability claims for damages caused from improper use or handling of the chair.

WHAT'S IN THE BOX

Hardware



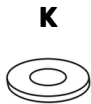
6x
M6x30



2x
M6x25



4x
M6x16



10x
Washers

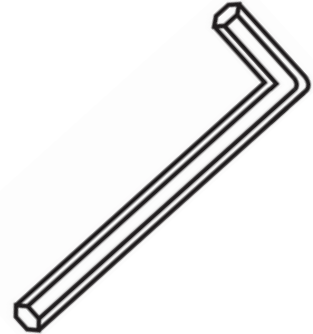


3x
M8x20



1x
Allen Wrench

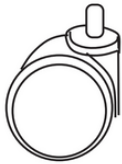
Tools Required



Allen Wrench
(Included)

Components

A



5x
Caster Wheels

B



1x
Star Base

C



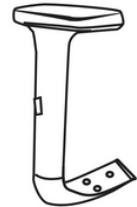
1x
Piston

D



1x
Chair Back

E



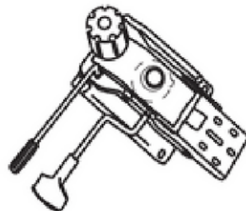
2x
Arm Rests

F



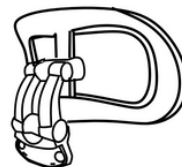
1x
Chair Base

G



1x
Chair Mechanism

M



1x
Headrest

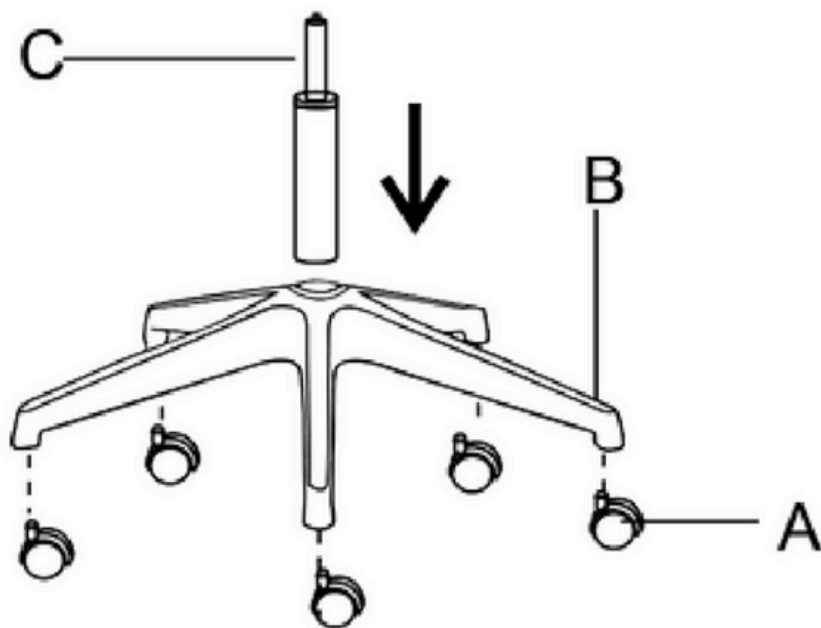
N



1x
Screw Cover

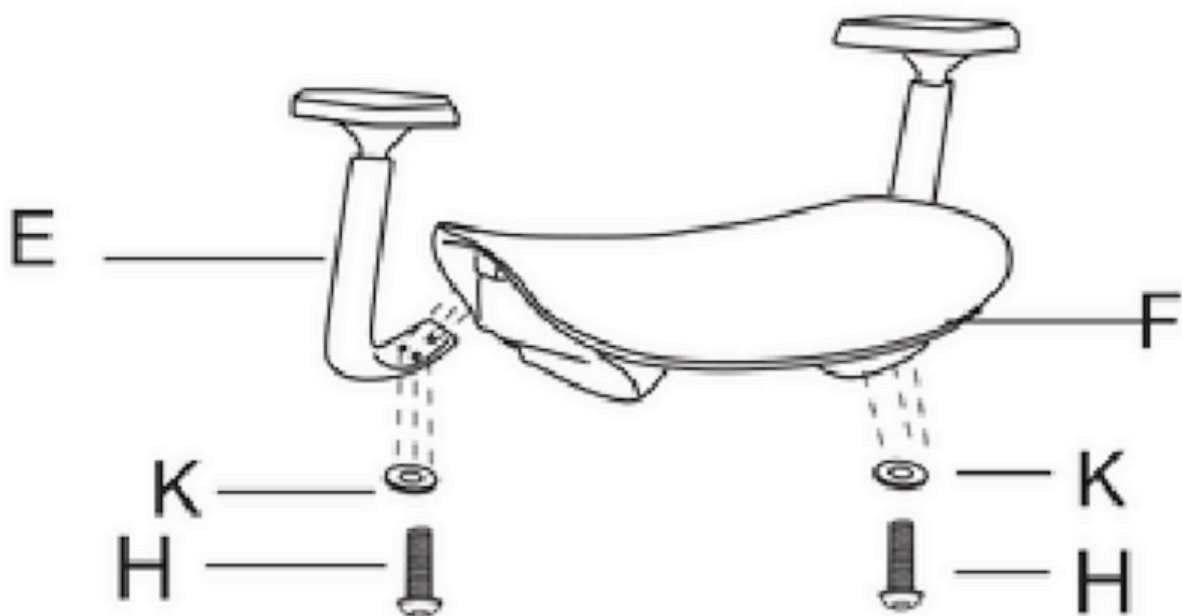
ASSEMBLY INSTRUCTIONS

1



- Fully assemble Starbase

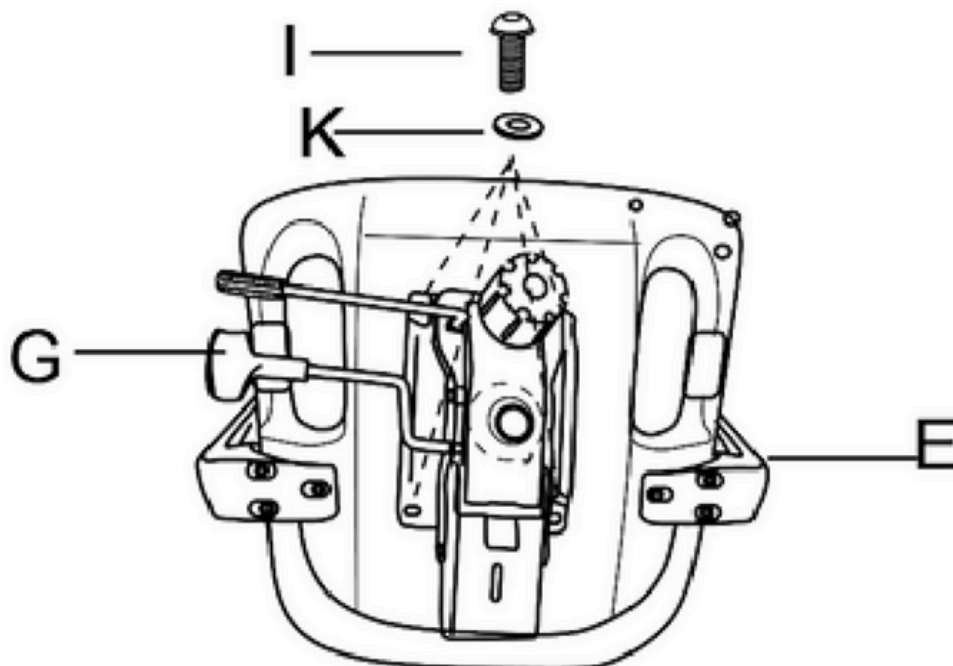
2



- Attach arms to the seat base

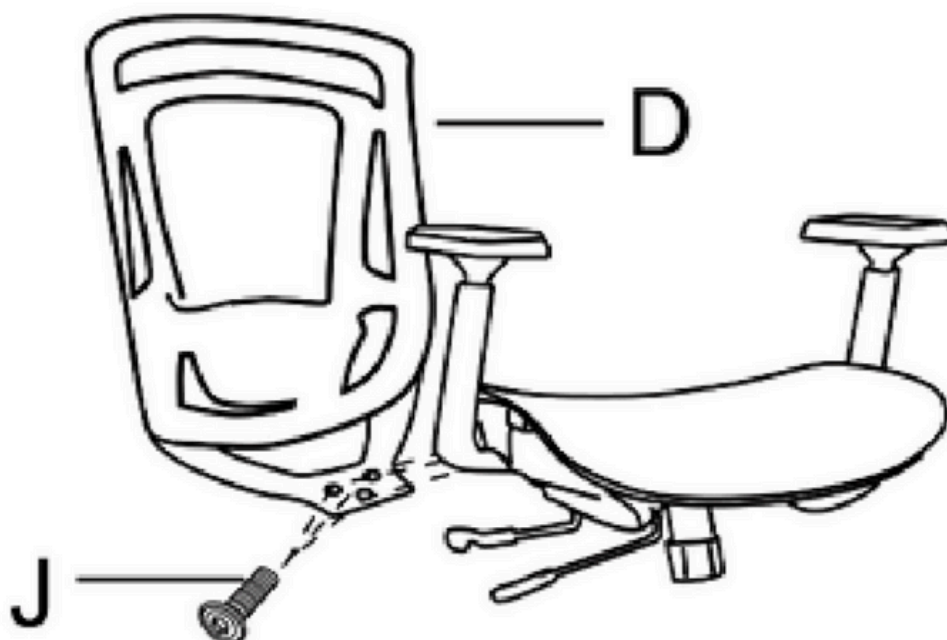
ASSEMBLY INSTRUCTIONS

3



- Attach mechanism to the seat base

4



- Attach the chair back to the seat base

⚠ Avoid over-tightening screws. As this may damage the product.

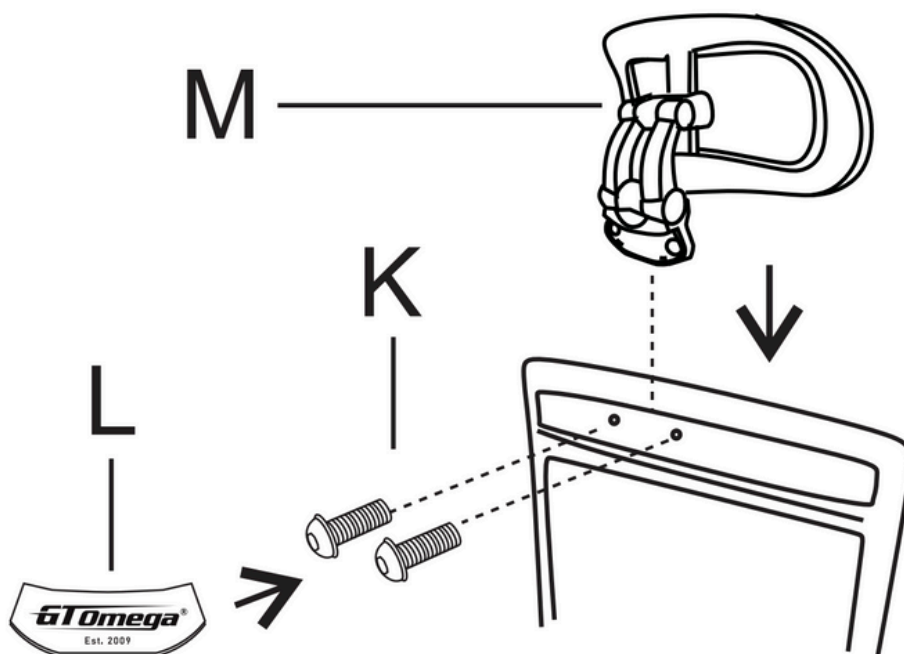
ASSEMBLY INSTRUCTIONS

5



- Place the seat on top of the piston

6



- Attach the headrest and screw cover



Avoid over-tightening screws. As this may damage the product.

ASSEMBLY INSTRUCTIONS

7



- Your MASTER is now fully assembled